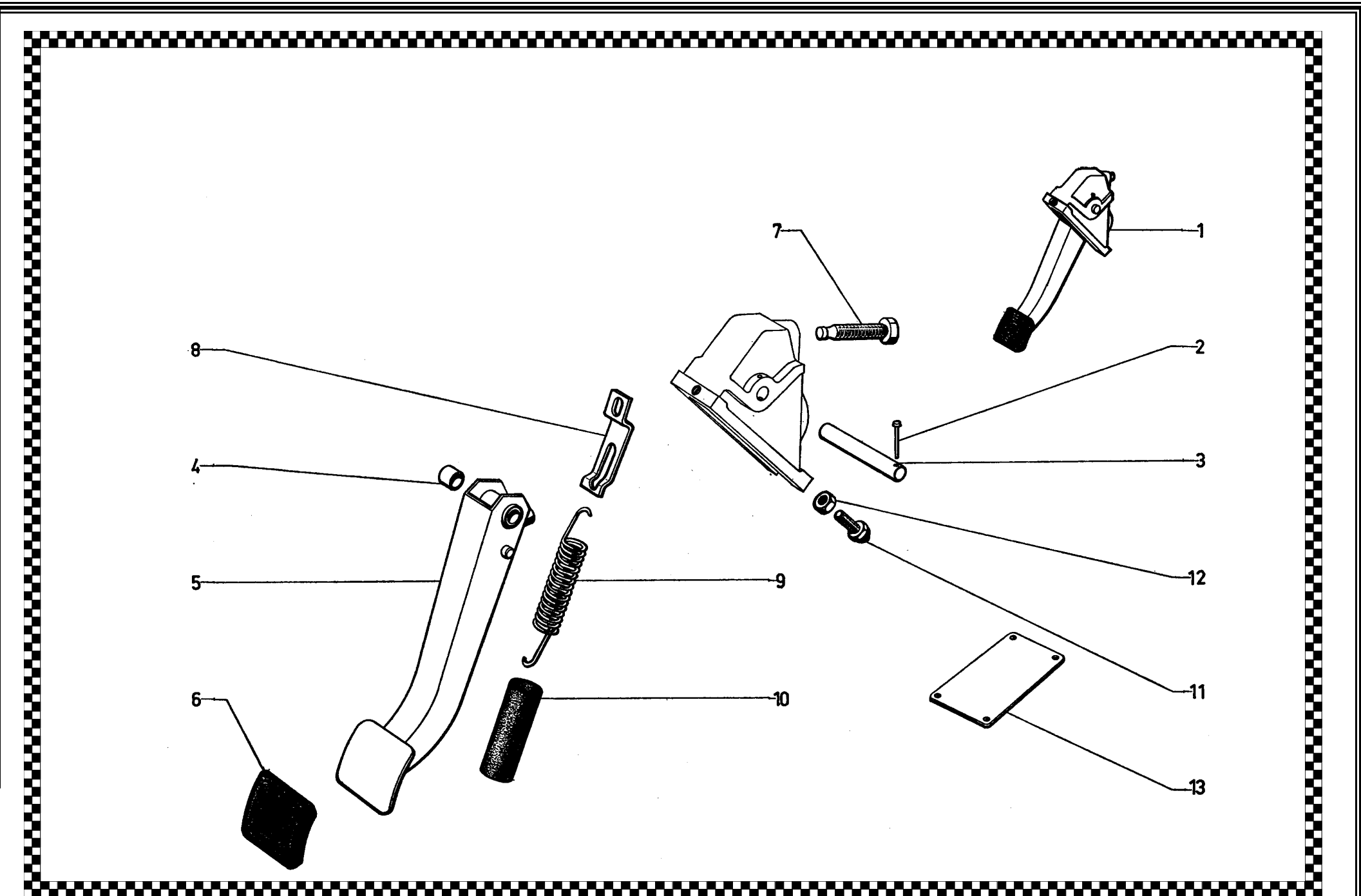
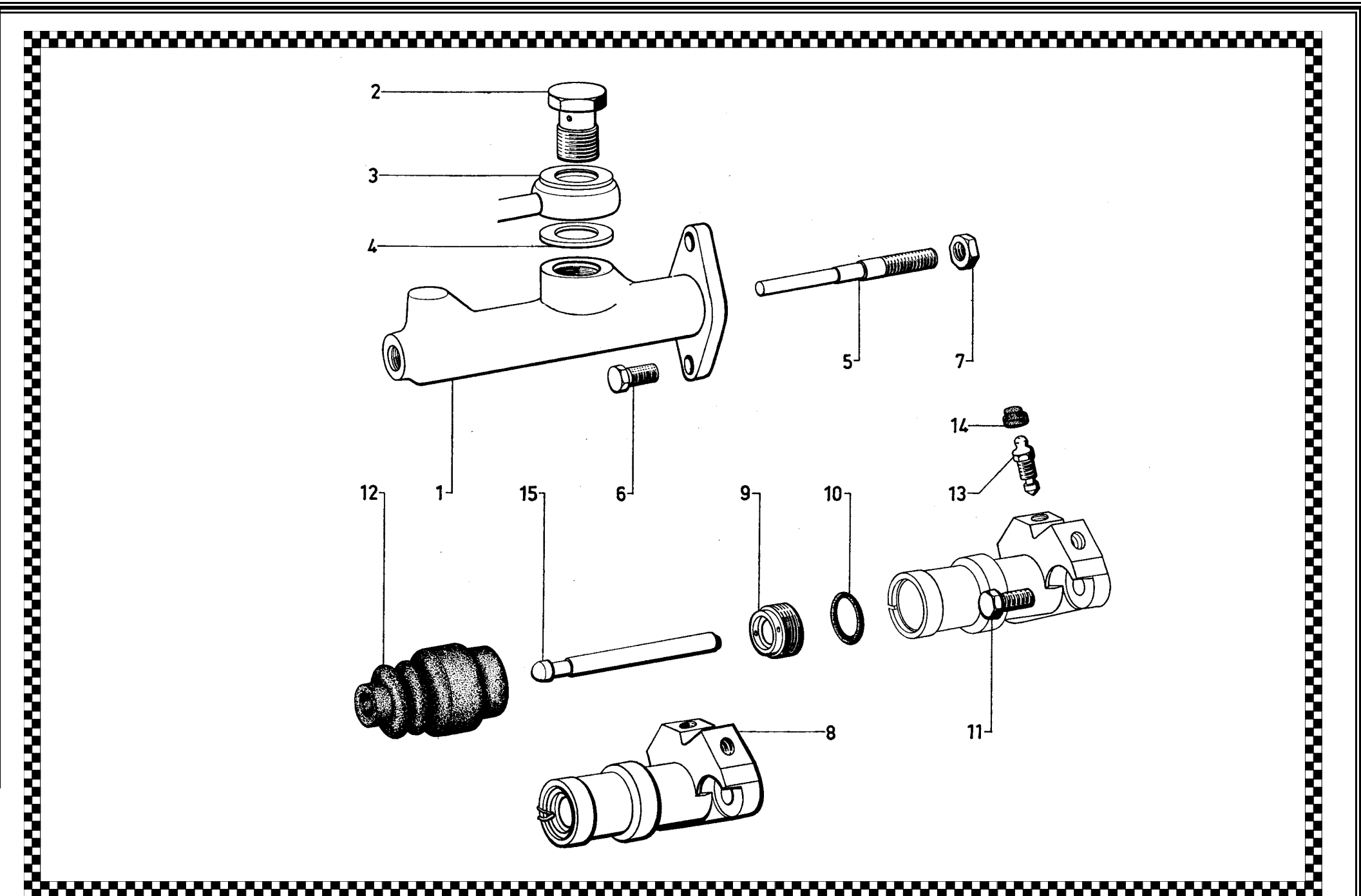


Part ID	Description					
1	Pedal gear complete	11	Screw (with rubber)	21		31
2	Pin	12	Nut	22		32
3	Spindle	13	Closing plate for clutch pedal	23		33
4	Bush	14		24		34
5	Pedal bushed	15		25		35
6	Pad	16		26		36
7	Screw	17		27		37
8	Lug	18		28		38
9	Spring (17 turns)	19		29		39
10	Sheath	20		30		40



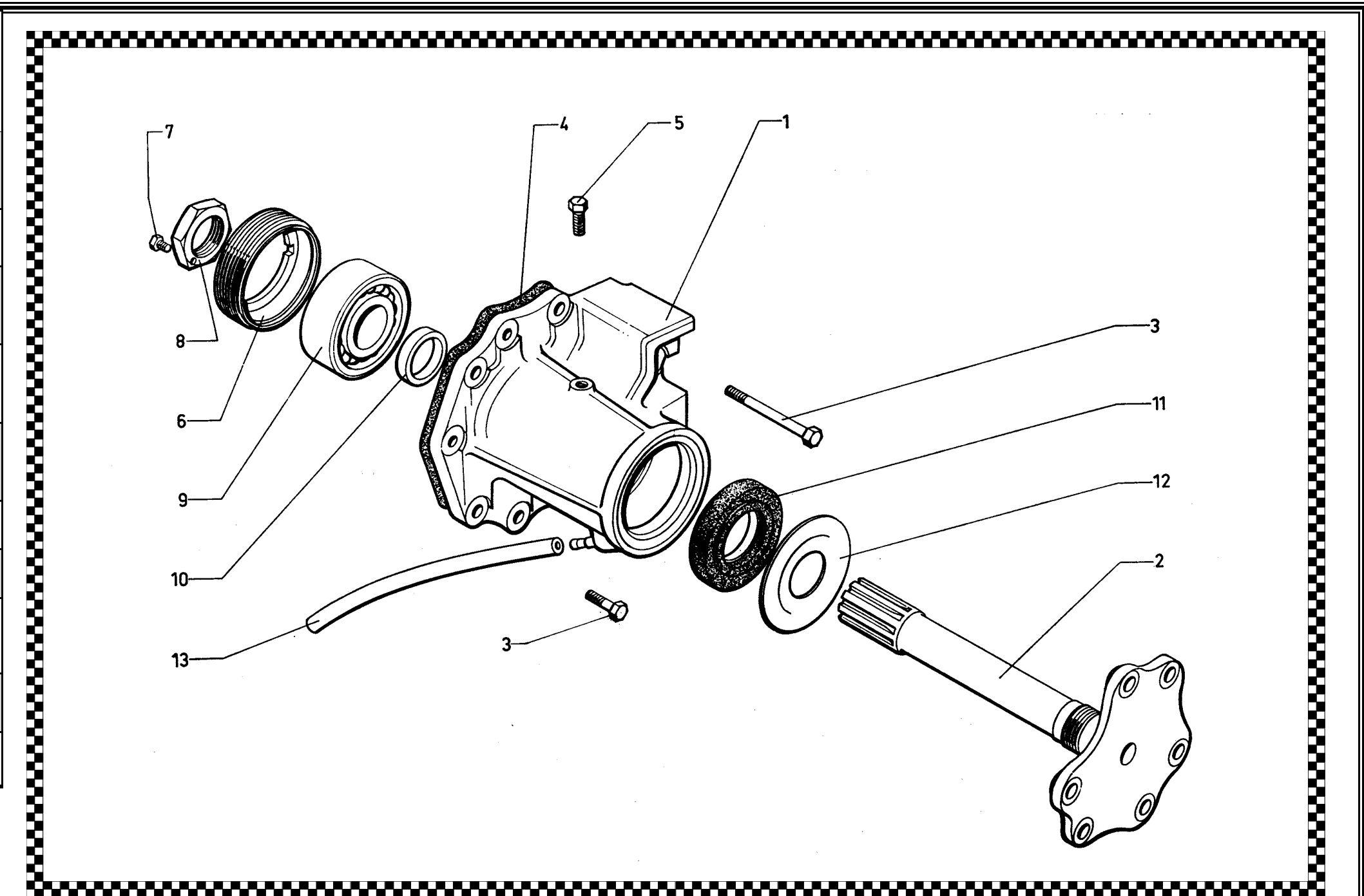
Group 4: Clutch Pedal Gear

Part ID	Description					
1	Master cyl. Complete	11	Screw	21		31
2	Union-screw	12	Dust cover	22		32
3	Joint	13	Bleed-screw	23		33
4	Joint	14	Cap	24		34
5	Push-rod	15	Push-rod	25		35
6	Screw	16		26		36
7	Nut	17		27		37
8	Cylinder complete	18		28		38
9	Stop-screw	19		29		39
10	Sealing ring	20		30		40



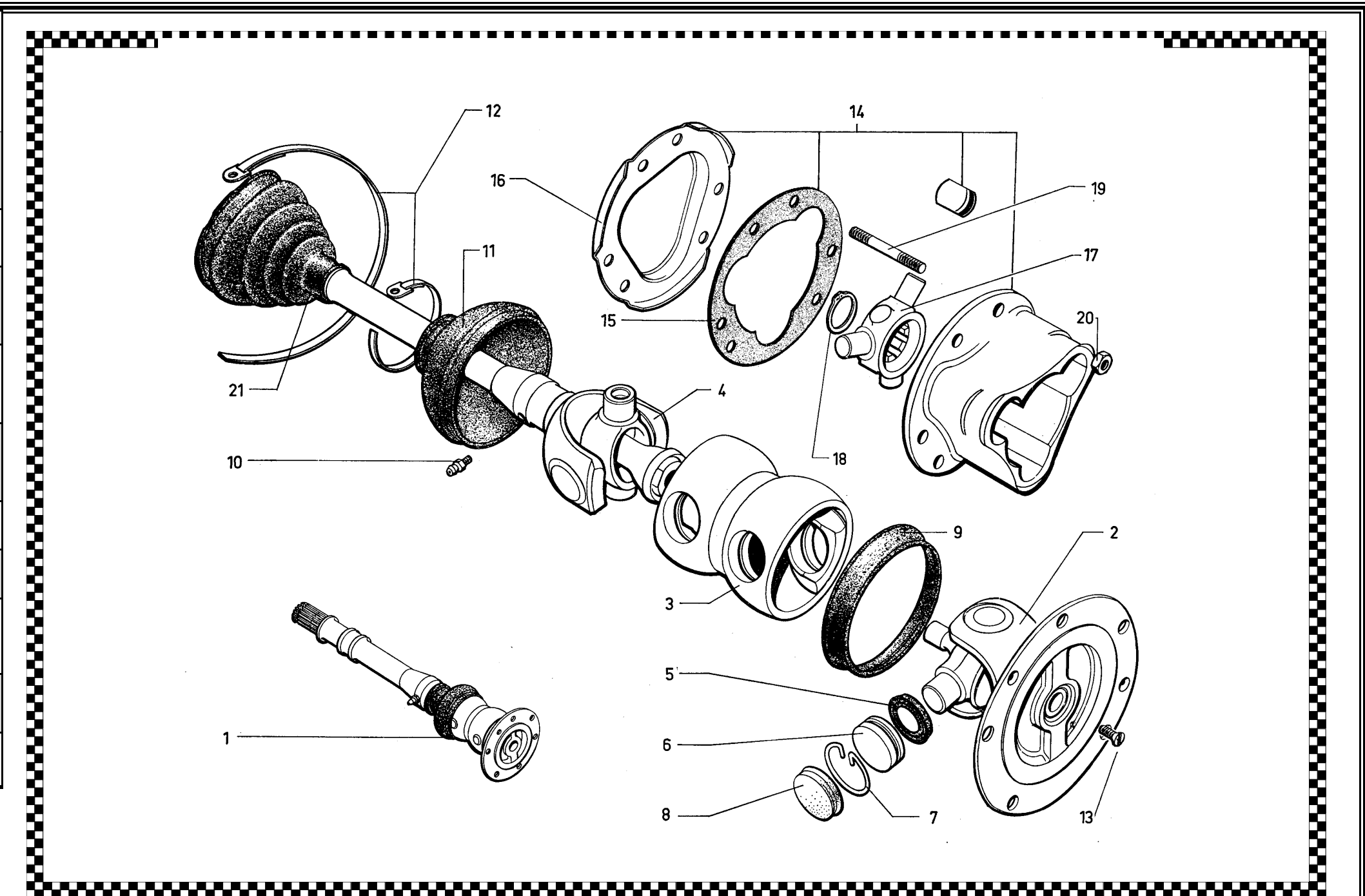
Group 4: Master Cylinder

Part ID	Description					
1	Bearing	11	Sealing ring	21		31
2	Shaft only	12	Oil seal	22		32
3	Screw for bearing	13	Flexible tube	23		33
4	Joint	14		24		34
5	Stop screw	15		25		35
6	Ring nut	16		26		36
7	Screw	17		27		37
8	Nut for shaft	18		28		38
9	Roller bearing, double	19		29		39
10	Thrust ring	20		30		40



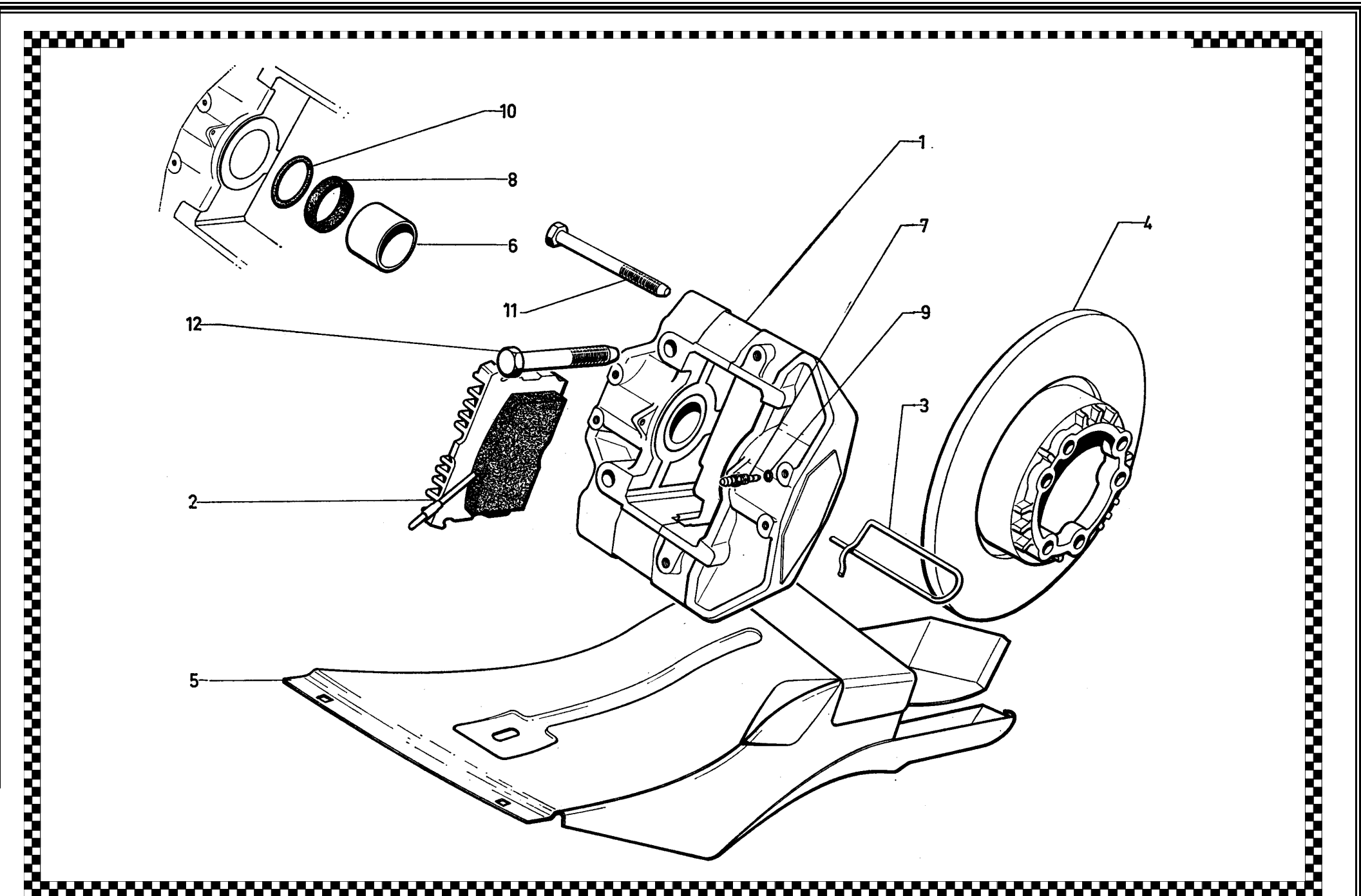
Group 4: Differential shafts and bearings

Part ID	Description					
1	Drive shaft complete	11	Dust cover (Wheel side)	21	Dust cover (gearbox side)	31
2	Flange with crosshead	12	Collar	22		32
3	Sleeve	13	Screw	23		33
4	Shaft with crosshead	14	Drive housing with rollers and plate	24		34
5	Nylon gasket	15	Gasket	25		35
6	Bearing with needles	16	Closing metal sheet	26		36
7	Circlip	17	Tri-axle	27		37
8	Cover for bearing	18	Circlip	28		38
9	Gasket	19	Stud	29		39
10	Grease nipple	20	Nut with shouldering	30		40



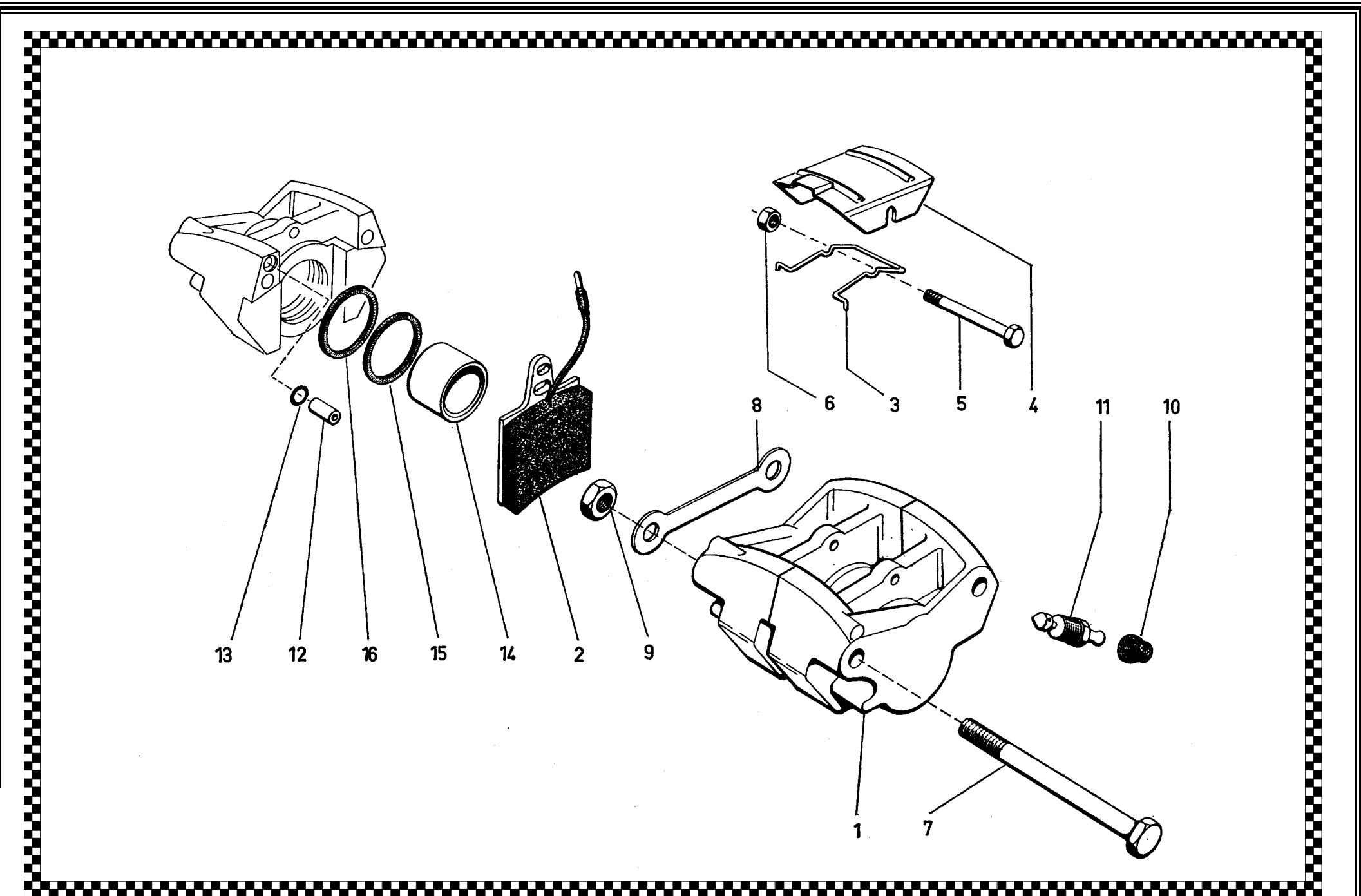
Group 4: Drive Shafts

Part ID	Description					
1	Housing complete	11	Screw for halfhousing	21		31
2	Set of 4 plates	12	Screw for housing	22		32
3	Spring pin	13		23		33
4	Disc	14		24		34
5	Duct	15		25		35
6	Piston	16		26		36
7	Drain screw	17		27		37
8	Felt joint	18		28		38
9	Sealing ring	19		29		39
10	Sealing ring	20		30		40



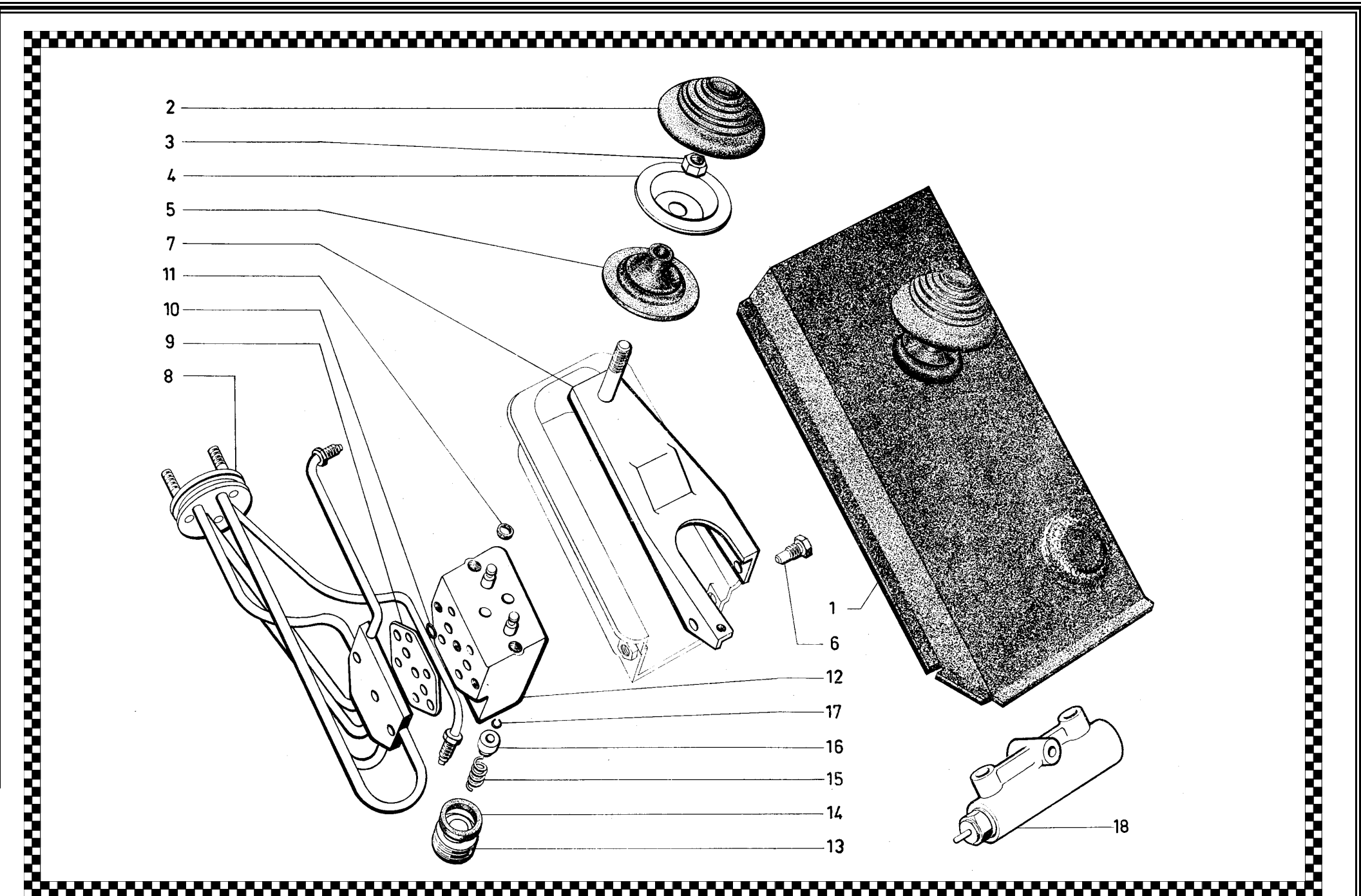
Group 4: Front Brakes

Part ID	Description					
1	Housing complete	11	Bleed screw	21		31
2	Set of 4 plates	12	Tube	22		32
3	Anti-rattle sprint	13	Sealing ring	23		33
4	Metal sheet	14	Piston	24		34
5	Screw	15	Dust cover	25		35
6	Nut	16	Sealing joint	26		36
7	Screw	17		27		37
8	Ship	18		28		38
9	Nut	19		29		39
10	Cap	20		30		40



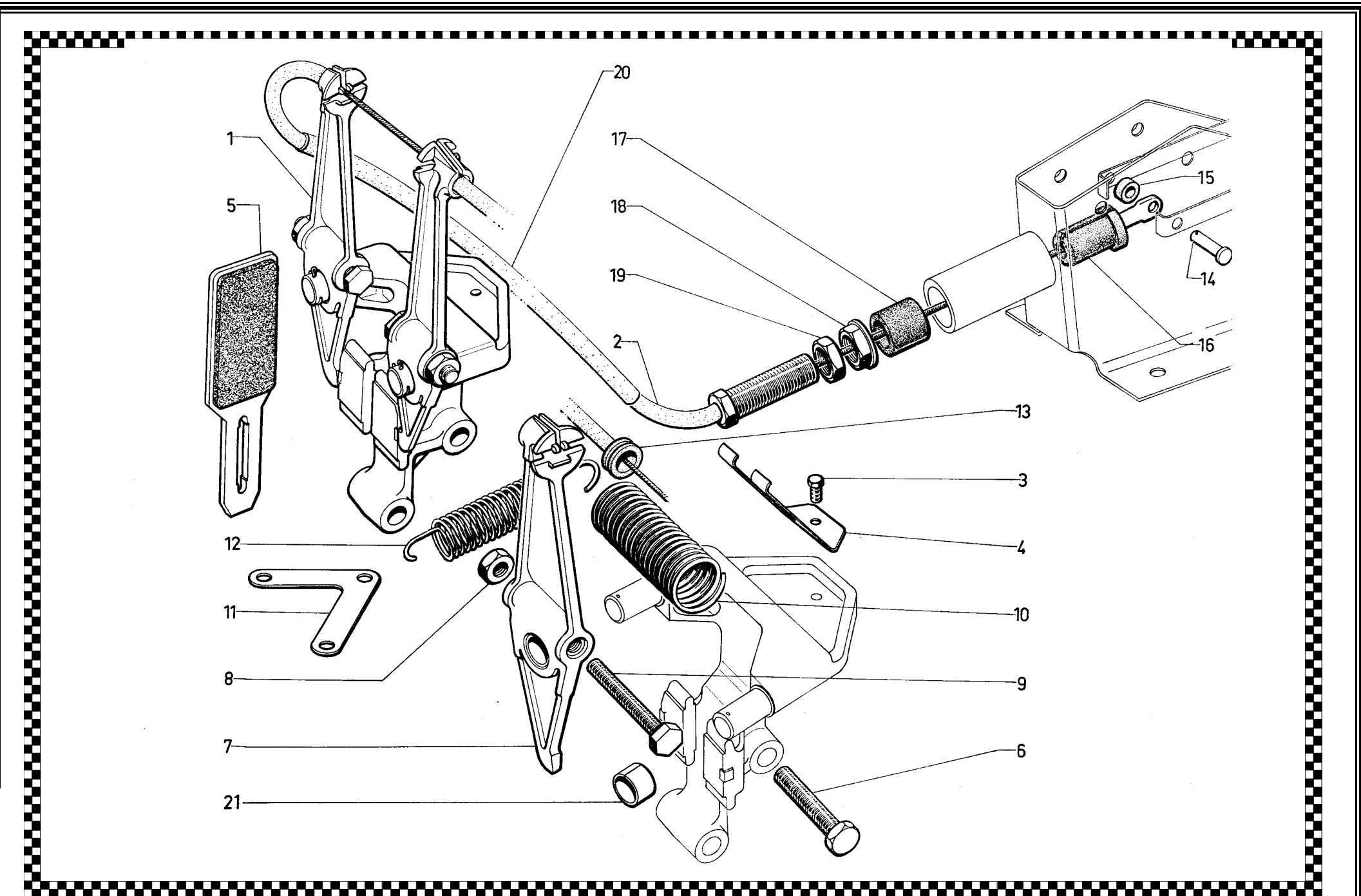
Group 4: Rear Brakes

Part ID	Description					
1	Control unit (with pressure distributor)	11	Felt joint	21		31
2	Pedal cover	12	Body with sliding valves	22		32
3	Nut	13	Cap	23		33
4	Pedal pad (steel)	14	Joint	24		34
5	Protection lining	15	Spring	25		35
6	Pin	16	Thrust washer	26		36
7	Pedal	17	Circlip	27		37
8	Pipe assy.	18		28		38
9	Plate	19		29		39
10	Sealing ring	20		30		40



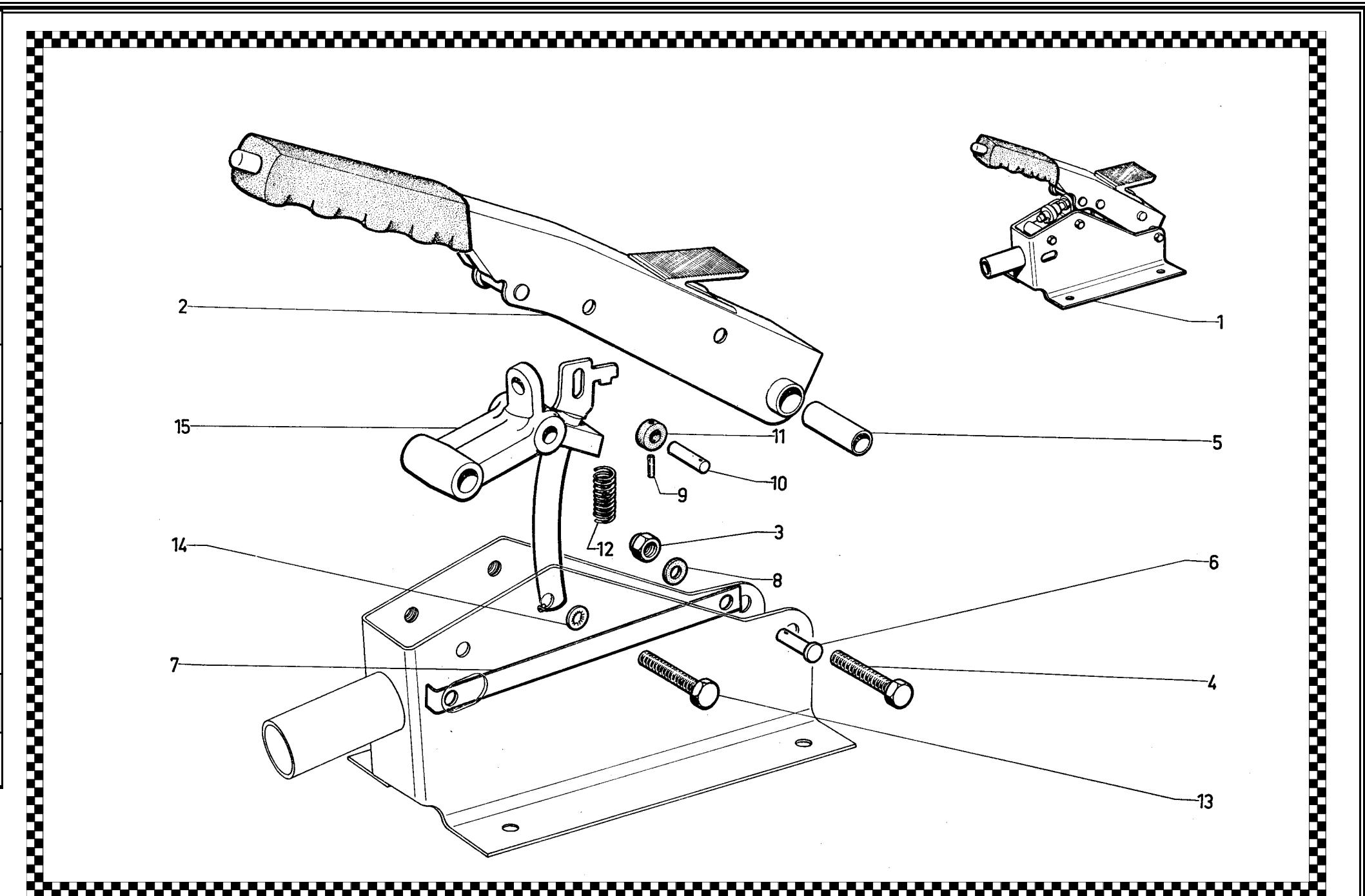
Group 4: Brake Control

Part ID	Description						
1	Support and levers assy.	11	Hook for spring	21	Lever push	31	
2	Cable	12	Spring (9 turns)	22		32	
3	Screw	13	Securing bush	23		33	
4	Spring, anti-rattle	14	Spindle	24		34	
5	Set of 4 plates	15	Nylon washer	25		35	
6	Screw	16	Sleeve, anti-rattle	26		36	
7	Bushed lever	17	Bush, anti-rattle	27		37	
8	Nut	18	Shouldered nut	28		38	
9	Adjustable push rod	19	Nut	29		39	
10	Spring (12 coils)	20	Protective trimming	30		40	



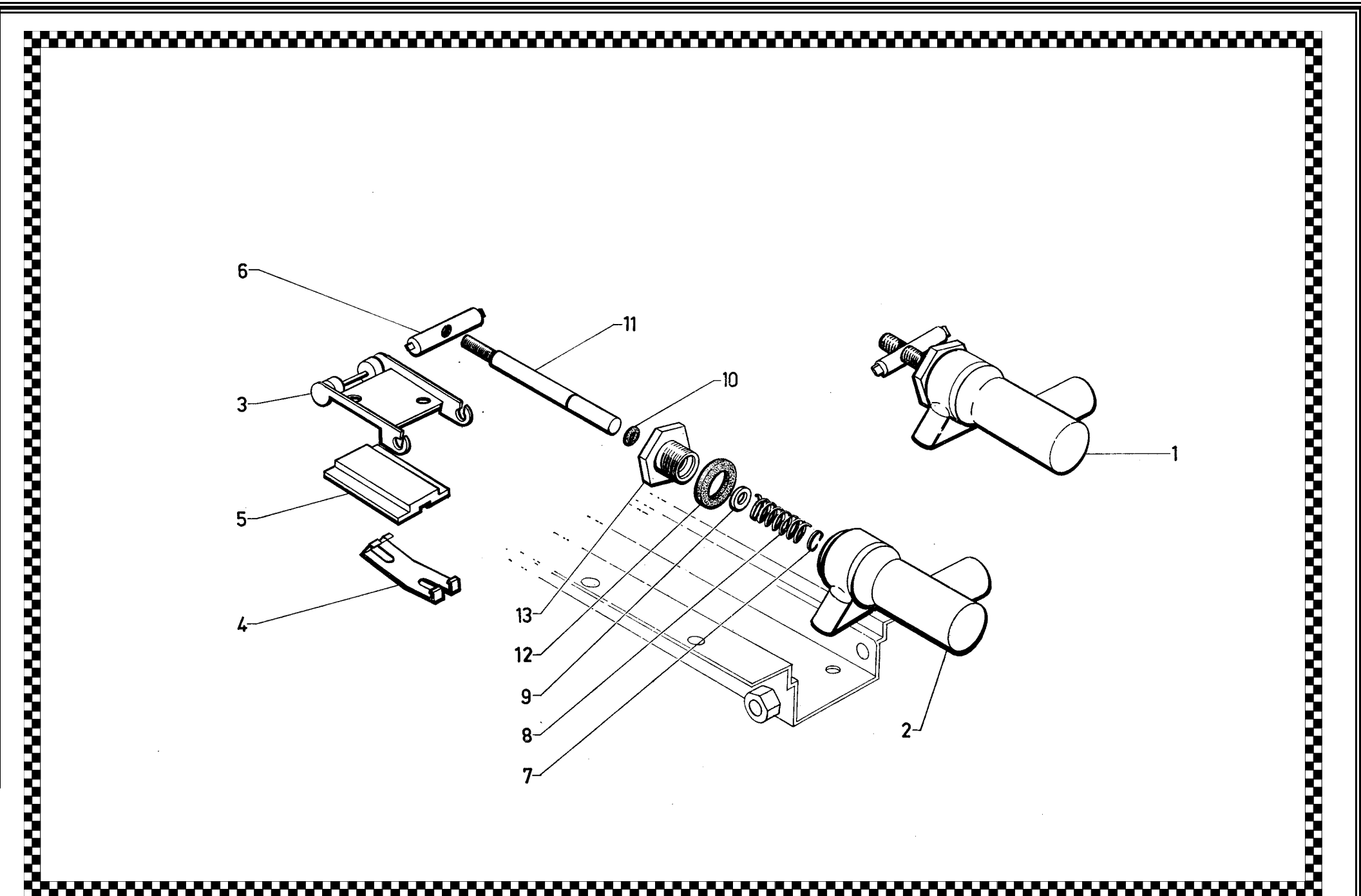
Group 4: Hand Brake- Holders-Cable

Part ID	Description					
1	Complete handbrake	11	Nylon washer	21		31
2	Complete lever	12	Spring	22		32
3	Nylstop nut	13	Screw	23		33
4	Screw	14	Washer	24		34
5	Bush	15	Sector with lock	25		35
6	Spindle	16		26		36
7	Half rod	17		27		37
8	Washer anti-rattle	18		28		38
9	Pin	19		29		39
10	Spindle	20		30		40



Group 4: Hand Brake- Lever

Part ID	Description						
1	Distributor complete	11	Sliding valve	21		31	
2	Body of distributor	12	Joint for plug	22		32	
3	Slide with rollers	13	Plug	23		33	
4	Retaining plate	14		24		34	
5	Plate	15		25		35	
6	Pin	16		26		36	
7	Circlip	17		27		37	
8	Spring	18		28		38	
9	Washer	19		29		39	
10	Sealing ring	20		30		40	



Group 1: Brake Pressure Distrubutor

Part ID	Description					
1		11		21		31
2		12		22		32
3		13		23		33
4		14		24		34
5		15		25		35
6		16		26		36
7		17		27		37
8		18		28		38
9		19		29		39
10		20		30		40



Group 1: Fan

Part ID	Description					
1		11		21		31
2		12		22		32
3		13		23		33
4		14		24		34
5		15		25		35
6		16		26		36
7		17		27		37
8		18		28		38
9		19		29		39
10		20		30		40

